

## A675(PR44)

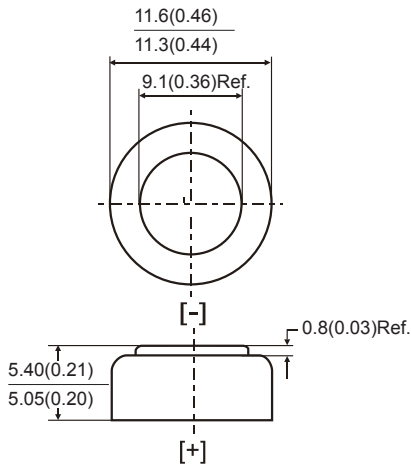
## ZERO MERCURY

Zinc Air



(top view) (bottom view)

### Dimensions

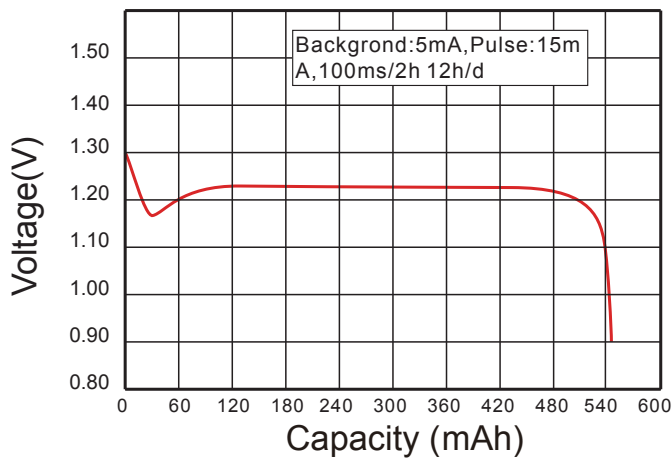


Unit:mm(inch)

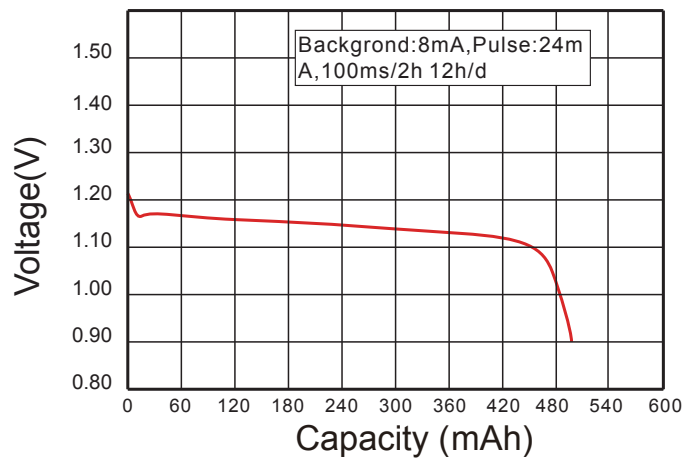
### Specifications

Chemical System:	Zinc Air (Zinc-Oxygen)
IEC Name:	PR44
ANSI/NEDA:	7003ZD
Camelion Model:	A675
Typical Weight:	1.80g
Dimension(ΦxH):	11.6 x 5.4mm 0.46 x 0.21 inch
Terminals:	Flat
Nominal Voltage:	1.45Volts
Capacity:	540mAh (Background:5mA,Pulse:15mA, 100ms/2h,12h/d to 1.05V)
Operating Temperature:	0°C -50°C
Storage Temperature:	15°C -25°C
Relative Humidity:	60±15%

### Typical Discharge Testing Typical characteristics at 25°C



### Typical Discharge Testing Typical characteristics at 25°C



Notice:

Environmental elements comply with 2006/66/EC and US LAW 104-142 requirements. This data sheet is typical information specific to products manufactured at the time of its publication. Contact Camelion Battery Co., Ltd. for the latest information.